

# Tubular Level Gauge Order Sheet

Requested By:

Company Name:

Address:

City:

State:

Zip:

Phone:

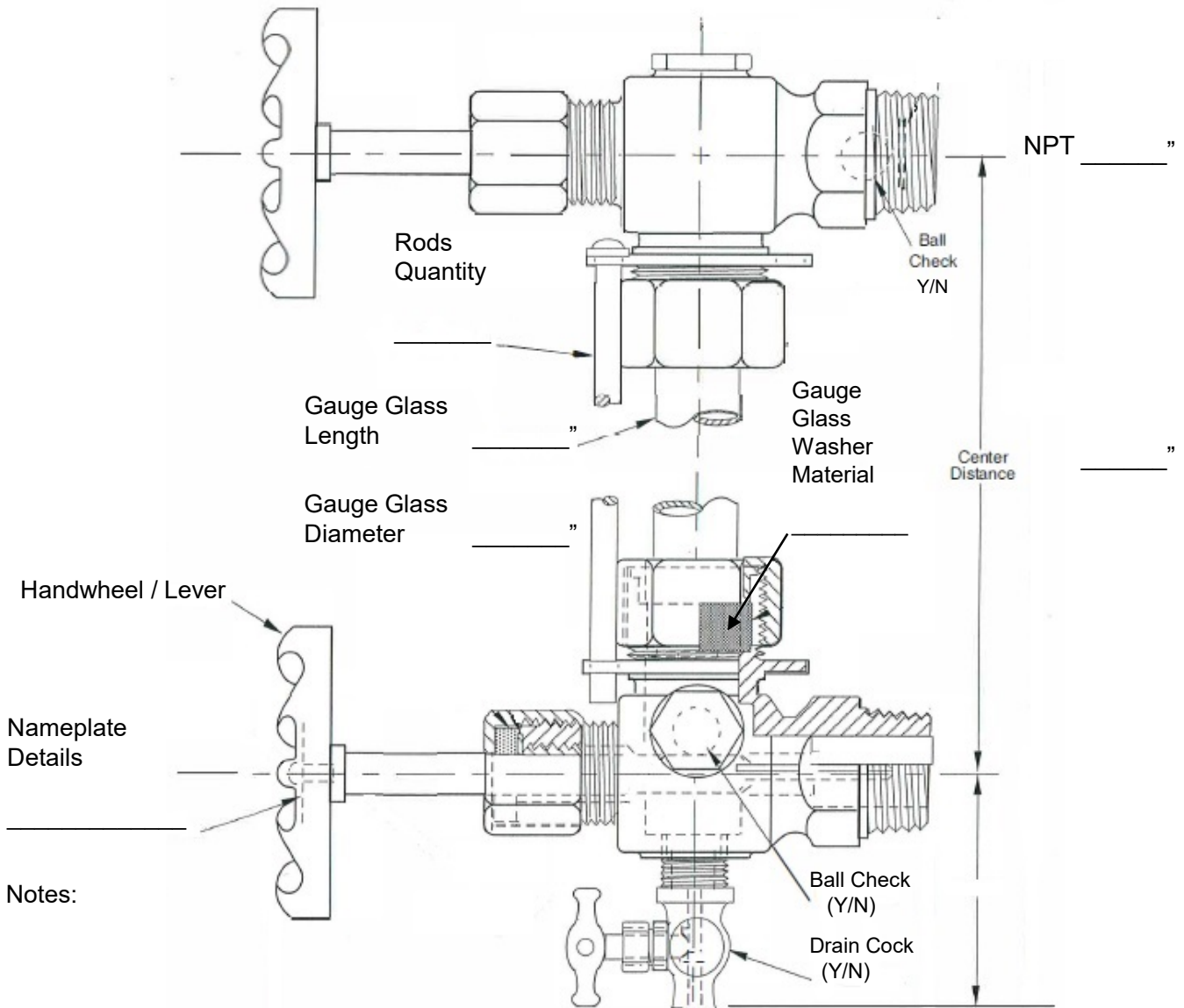
Email:

Part Number:

Material of Construction:

Pressure:

Temperature:



Notes: